



APPLICATION TO ERECT WHITE ARROWBOARD SIGNS ON THE STATE HIGHWAY SYSTEM

Wisconsin Department of Transportation
DT1903 8/2016

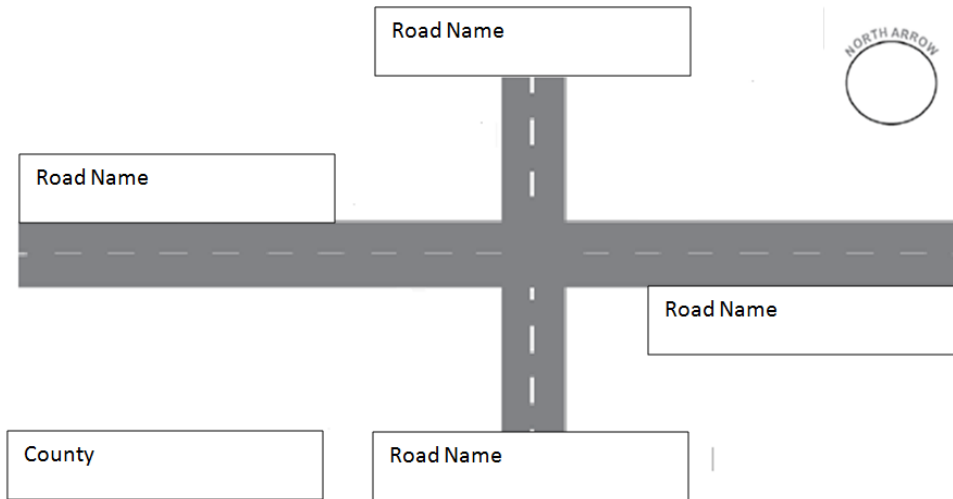
Submit completed applications to Wisconsin Department of Transportation Regional Office

Business/Service/Activity Name for which White Arrow Board sign is Requested

Street	City	State	ZIP Code
Email Address		(Area Code) – Telephone Number	

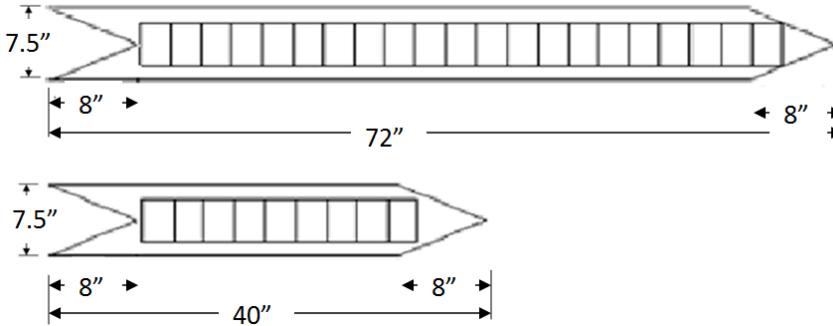
Proposed Sign Location Instructions

1. Label the intersecting roads.
2. Place an arrow in the circle pointing to the North.
3. Check (x) in the boxes corresponding to the proposed sign location.
4. Write the name of the county in the lower left corner.



Proposed Sign Wording

Fill in the name of the business. Limit the name to one character or space per box. Signs shall contain 4.5" black, block lettering on white background.



Number of Signs (select one):

- 1 Sign
- 2 Signs

Sign placed on (select one):

- New Posts
- Existing Posts

I apply for authority to erect and maintain guidance signs at the locations listed on this application. I certify and agree that these signs will conform to the approved design of the Wisconsin Department of Transportation and that I will comply with all the regulations under which authority these signs may be erected. I also certify that I will comply with the attached figures

X
 Applicant Signature _____ Date (m/d/yy) _____

X
 WisDOT Region Signature _____ Date (m/d/yy) _____

APPLICATION TO ERECT WHITE ARROWBOARD SIGNS ON THE STATE HIGHWAY SYSTEM

(continued)

Wisconsin Department of Transportation DT1903

Sign Erection Regulations

Extracted from Chapter Trans 200, Wisconsin Administrative Code

Trans 200.02 Authority for the erection of signs.

1. The Department of Transportation or its authorized representatives in the case of the marked routes of state trunk highways, and local authorities with respect to highways under their exclusive jurisdiction, may place and maintain such traffic signs and signals as they deem necessary to warn, guide, inform, and regulate traffic, and also such signs and signals as are expressly permitted or required by the statutes or by these regulations, subject, however, to such limitations and restrictions as are contained in the statutes and these regulations.
2. The Department of Transportation with respect to the state trunk highway system, and local authorities with respect to highways under their jurisdiction, may erect or permit any department of the federal, state or local government to erect such standard signs as the Department of Transportation or local authorities deem necessary to inform and warn the public of federal or state laws, local ordinances and lawful regulations by any such department.

Trans 200.03 Guidance signs for resorts, hotels, county institutions, etc.

1. Any person or persons conducting a summer or winter resort, hotel, or any place of public entertainment or instruction, or any place of religious worship, or persons having charge of any county institution or of any scientific experiment for the furtherance of agriculture or other science or art may be permitted to erect guidance signs of a type approved by the Department subject to the conditions contained in this section.
2. No guidance sign may be permitted on freeways, including the national system of interstate highways.
3. Only where such institution or business location is removed from the state trunk highway system may such guidance signs be erected.
4. Such guidance signs may be erected at only two intersections of the state trunk highway system with county highways or town roads, and at such intersections of county or town highways as are deemed necessary by the local authorities having jurisdiction over those highways.
5. One sign of an approved size and shape may be erected at the entrance to any of the enumerated institutions or businesses.
6. No person may be permitted to erect or maintain a guidance sign on a highway if that person has any advertising in the vicinity of the intersection where the guidance sign is proposed to be erected or has a business sign under 200.06 on the same highway.
7. All guidance signs erected on any public highway shall be of a type and design approved by the Department. No flashing, illuminated, or reflecting signs or installation shall be permitted.
8. No guidance sign may be erected upon state trunk highway right of way at an intersection with the state trunk highway system until the location and manner of erection of the have the written approval of the Department. No guidance sign may be erected on the right of way of a county and town highway until the location and manner of erection of the sign have the written approval of the local authorities having jurisdiction over the said highway.
9. All guidance signs and their supports shall be maintained in good condition. **Signs or installations not satisfactorily maintained shall be removed by the officers in charge of the maintenance of the highway.**

Trans 200.04 Prohibited signs and signals.

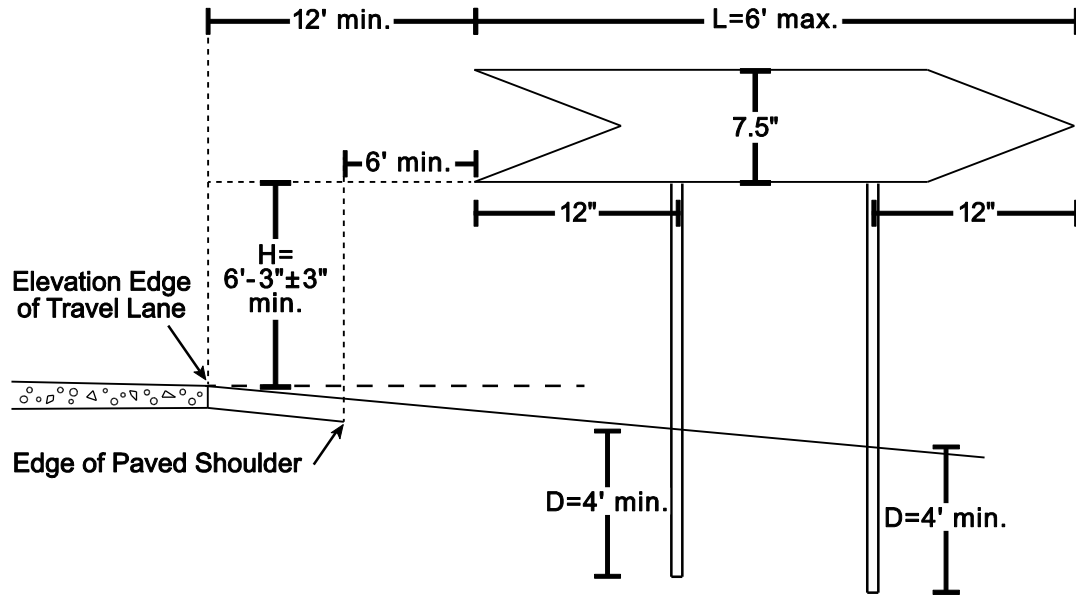
1. No person may erect, cause to be erected, permit to be erected or maintain any advertising, warning, route, guide, information, or regulatory sign or signal within the limits of any highway except as authorized in sections 200.02, 200.03, 200.05 or 200.06.
2. No person may place or maintain nor may any public authority permit upon any highway any official traffic control device bearing thereon any commercial advertising except as authorized in 200.06.

APPLICATION TO ERECT WHITE ARROWBOARD SIGNS ON THE STATE HIGHWAY SYSTEM

(continued)

Wisconsin Department of Transportation DT1903

Figure 2. Typical Installation Detail for Arrow Board Signs
(Supplement to form DT1903)



Sign Installation Requirements:

1. The Requestor **shall** contact the county highway department for installation of the signs. Counties should charge all installation and repair costs to ID 0080-02-63. Counties will invoice charges to the requestor. Payment shall be made to: Wisconsin Department of Transportation, Attn: Jeannie Dammen, 3609 Pierstorff Street, Madison, WI 53704.
2. Signs are to be mounted per dimensions shown above.
3. Sign posts are to be treated wood 4 x 4's or 4 x 6's suitable for ground contact.
4. Signs less than 4 feet in length may be mounted on a single post; all other dimensions shown above apply.
5. Signs are to be mounted to project approximately 1 inch above the top of the post.
6. If multiple signs are "stacked" on the same posts, all signs are to be the same length. In this case, the minimum mounting height **shall** be 5' 3" for rural areas.
7. Sign assemblies **shall** be limited to a maximum of six signs per side.
8. There may be a maximum of two guidance sign assemblies per intersection approach in the same direction.
9. Contact Diggers Hotline prior to any excavation (800) 242-3500.
10. 7-Ply Highway Grade High Density Overlay Plywood (5/8") should be used for the sign base material.